



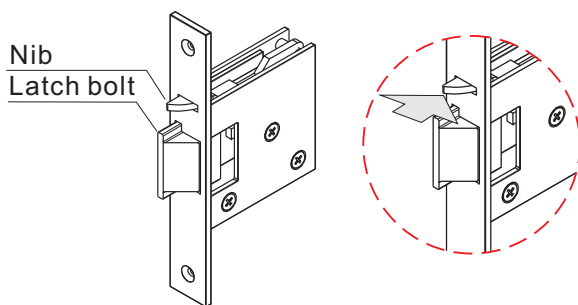
Product Features:

- ✓ Applicable to GK series electric strikes
- ✓ For wooden doors
- ✓ Stainless steel faceplate , zinc alloy main stand
- ✓ For single-swing doors (left-hand or right-hand)

Statement

LS-1000 mortise latch, compatible with electric strikes, is made of metal. The nib turns the latch into a dead lock which is more resistant to entry without a correct key.

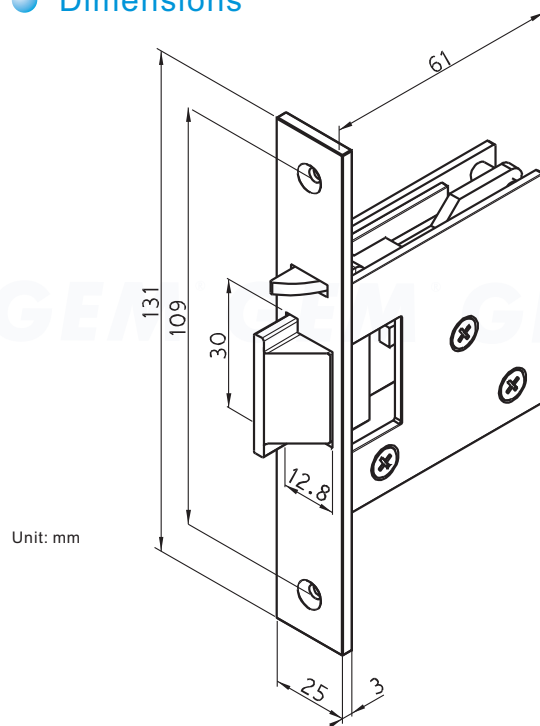
Nib



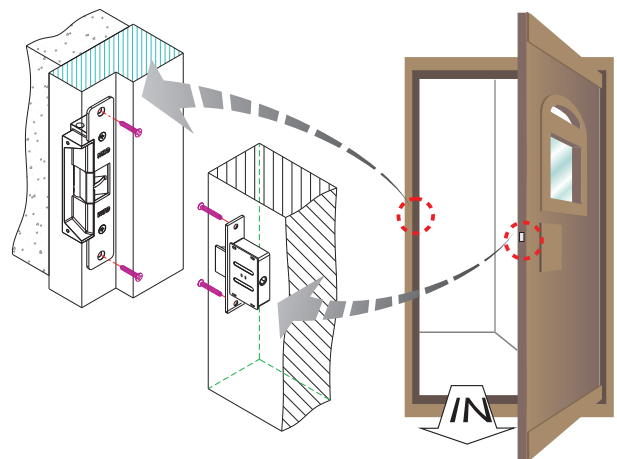
What is a Nib ?

When the door is closed, the Nib makes the latch a dead bolt. The latch bolt locks into the keeper of the door frame to make sure that the door is locked.

Dimensions



Mortise Mount on Wooden Frames



Warranty

The product is warranted against defects in material and workmanship while used in normal service for a period of 1 year from the date of sale to the original client. The GEM policy is one of continual development and improvement; therefore GEM reserves the right to change specifications without notice.

GIANNI INDUSTRIES, INC.

No. 13, Zhongxing Rd., Tucheng Dist., New Taipei City 236, Taiwan (R.O.C.)
 Tel: 886-2 2267 7986 / Fax: 886-2 2267 9876
 E-Mail: inquiry@gianni.com.tw
 Website: gianni.tw