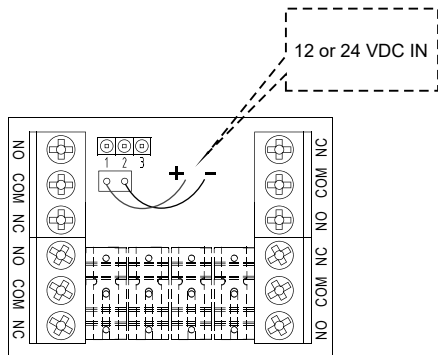
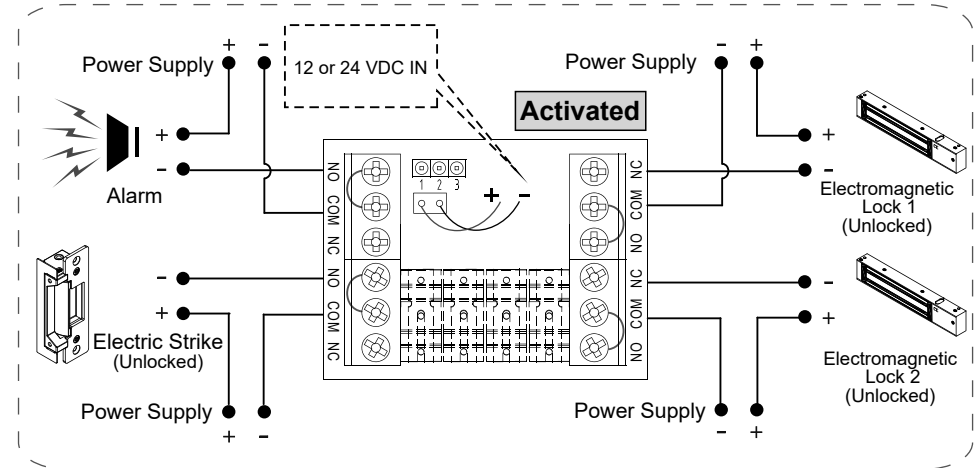
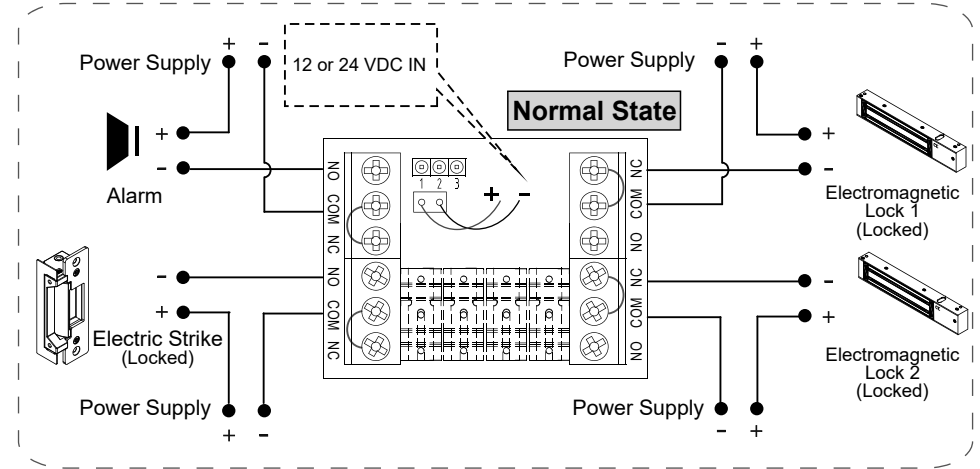
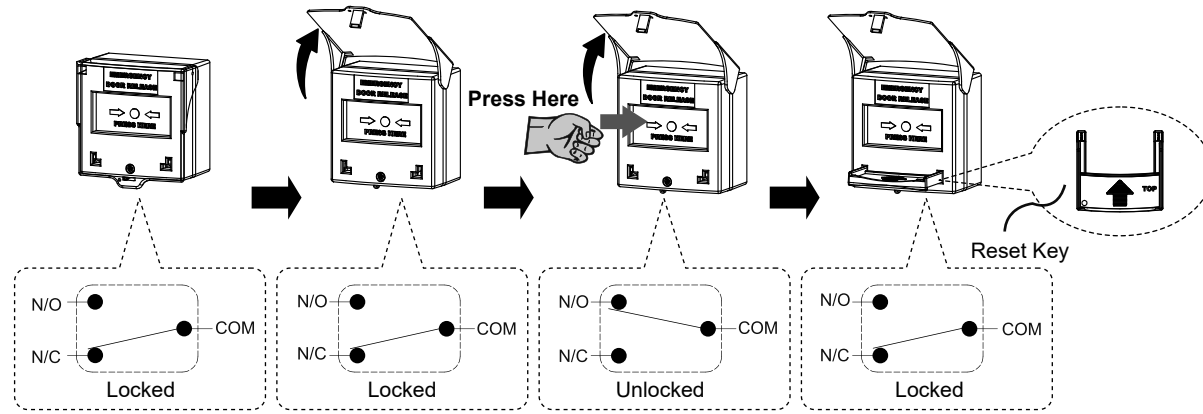
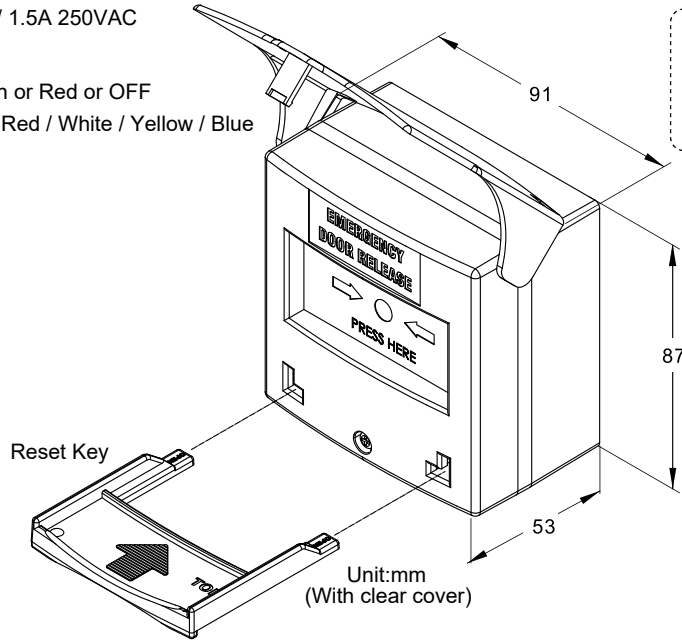


# CP-44-LB Series Red/Green Backlight Resettable Call Point Instruction Manual

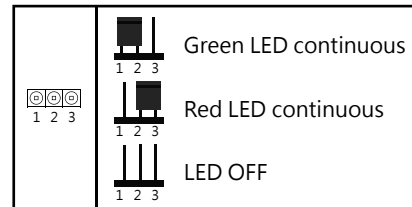
- Operating Voltage: 12/24VDC
- Dimensions: 87x91x53 mm (with clear cover)
- Contact Resistance: 100mΩ
- Switch Rating: 3A 125VAC / 1.5A 250VAC
- Four sets of signal output
- Backlight Illumination: Green or Red or OFF
- Plastic Case Color: Green / Red / White / Yellow / Blue
- Reset key included

Part Number:  
**CP-44X-LB**

Green **G**/Red **R**/White **W**  
Yellow **Y**/Blue **BL**



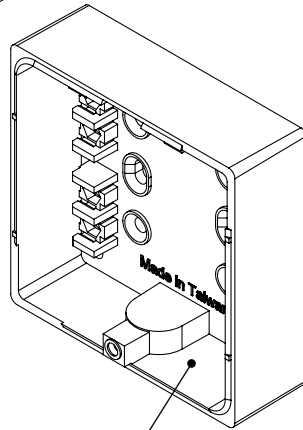
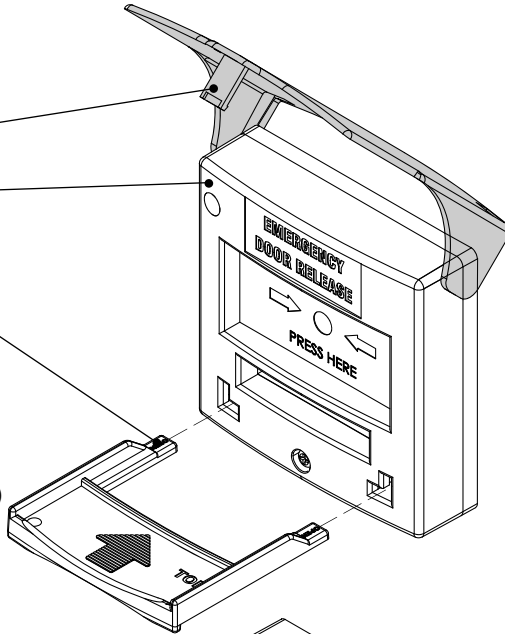
## Backlight Illumination Setting



# CP-44-LB Series Mortise Mount Installation Instructions

## Components

- 1 Plastic top cover
- 2 Main body
- 3 Reset key
- 4 Machine screw x1 (mortise mount only)
- 5 Self drilling screw x1 (surface mount only)
- 6 Hex nut x1
- 7 Hex nut spacer



- 8 Base piece (Not needed in this installation method)

Recommend using 1 gang flush mount box conformed to BS4662 (Not included)

<p><b>1</b></p> <p>Take off the plastic cover and separate the main body from the base.</p>	<p><b>2</b></p> <p>Top piece</p> <p>Middle piece</p> <p>Use the reset key to split the main body into two pieces.</p>	<p><b>3</b></p> <p>Install the hex nut on the middle piece followed by the spacer as shown.</p> <p>Complete as this:</p>
<p><b>4</b></p> <p>Use a plier to remove the hooks of the middle piece as shown.</p>	<p><b>5</b></p> <p>Align the middle piece and the mounting box and secure with two screws.</p>	<p><b>6</b></p> <p>Install the top piece as shown minding the spring in the middle.</p> <p>Tighten the machine screw to the hex nut.</p>
<p><b>7</b></p> <p>The main body is now secured to the mounting box.</p>	<p><b>8</b></p> <p>Click the plastic cover back on the front side.</p> <p>Close the plastic cover lid with the bottom secured as shown.</p>	<p><b>9</b></p> <p>Installation complete.</p>