

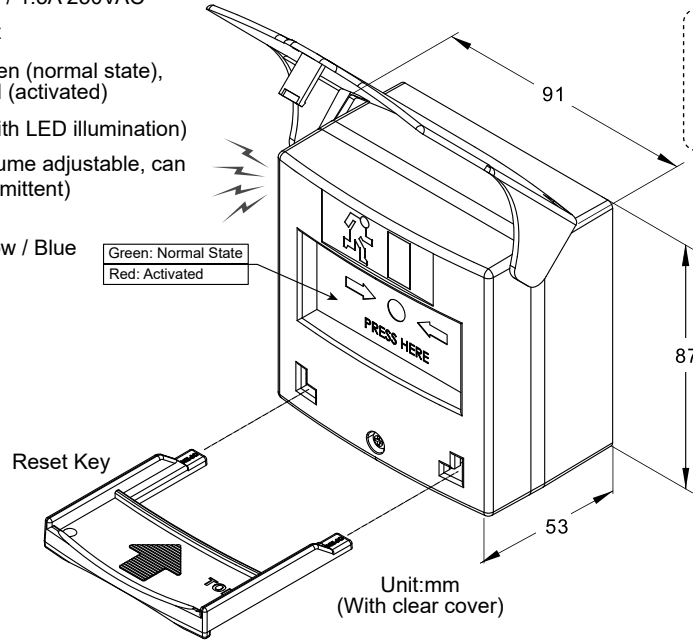
CP-45BZ-LB Series

Resettable Call Point with Exit Sign, LED Backlight and Buzzer Installation Instructions

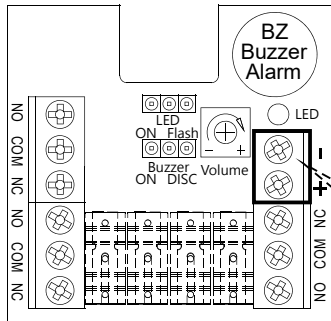
- Operating Voltage: 12/24VDC
- Dimensions: 87x91x53 mm (with clear cover)
- Contact Resistance: 100mΩ
- Switch Rating: 3A 125VAC / 1.5A 250VAC
- Three sets of signal output
- Backlight illumination: Green (normal state), Red (activated)
- Backlit exit sign (in sync with LED illumination)
- Built-in buzzer: 80 dB (Volume adjustable, can be turned off or set to intermittent)
- Plastic Case Color: Green / Red / White / Yellow / Blue
- Reset key included

Part Number:
CP-45XBZ-LB

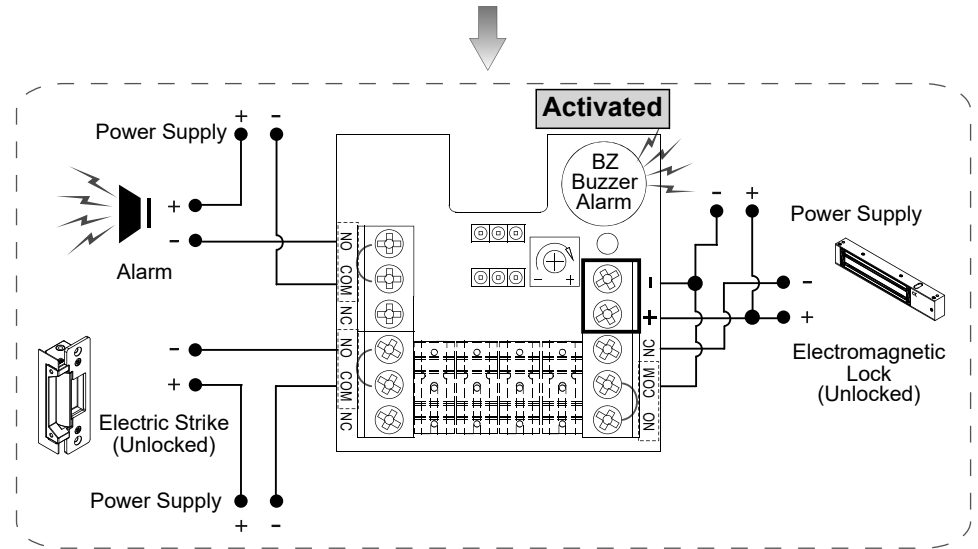
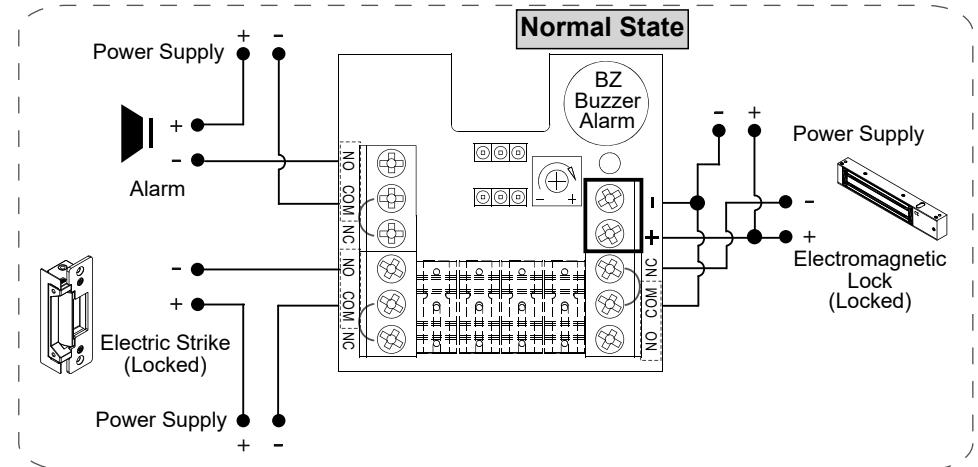
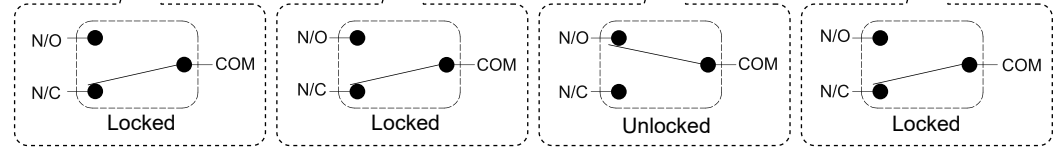
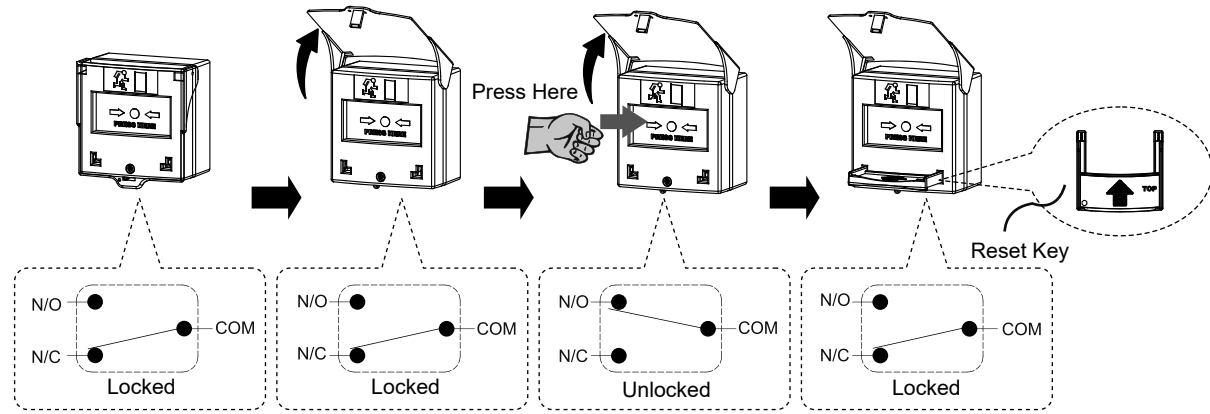
Green **G**/Red **R**/White **W**
Yellow **Y**/Blue **BL**



Settings



| | |
|--|----------------------------------------------------------------------------------------------------------------------------------------------------------------------------------------------------------------------|
| | Buzzer volume adjustment |
| | <ul style="list-style-type: none"> Red LED continuous Green LED continuous Red LED flashing (one second interval) Green LED continuous Red LED OFF Green LED continuous |
| | <ul style="list-style-type: none"> Buzzer continuous Buzzer beeps at one second interval Buzzer OFF |



CP-45BZ-LB Series Mortise Mount Installation Instructions

Components

1 Plastic top cover

2 Main body

3 Reset key

4 Machine screw x1
(mortise mount only)

5 Self drilling screw x1
(surface mount only)

6 Hex nut x1

7 Hex nut spacer

8 Base piece
(Not needed in this
installation method)

Recommend using 1 gang flush mount box conformed
to BS4662 (Not included)

| | | |
|---------------------------------------------------------------------------------------------|--------------------------------------------------------------------------------------------------------------------------------------------------|------------------------------------------------------------------------------------------------------------------------------------------|
| <p>1</p> <p>Take off the plastic cover and separate the main body from the base.</p> | <p>2</p> <p>Top piece</p> <p>Middle piece</p> <p>Use the reset key to split the main body into two pieces.</p> | <p>3</p> <p>Install the hex nut on the middle piece followed by the spacer as shown.</p> <p>Complete as this:</p> |
| <p>4</p> <p>Use a plier to remove the hooks of the middle piece as shown.</p> | <p>5</p> <p>Align the middle piece and the mounting box and secure with two screws.</p> | <p>6</p> <p>Install the top piece as shown minding the spring in the middle.</p> <p>Tighten the machine screw to the hex nut.</p> |
| <p>7</p> <p>The main body is now secured to the mounting box.</p> | <p>8</p> <p>Click the plastic cover back back on the front side.</p> <p>Close the plastic cover lid with the bottom secured as shown.</p> | <p>9</p> <p>Installation complete.</p> |