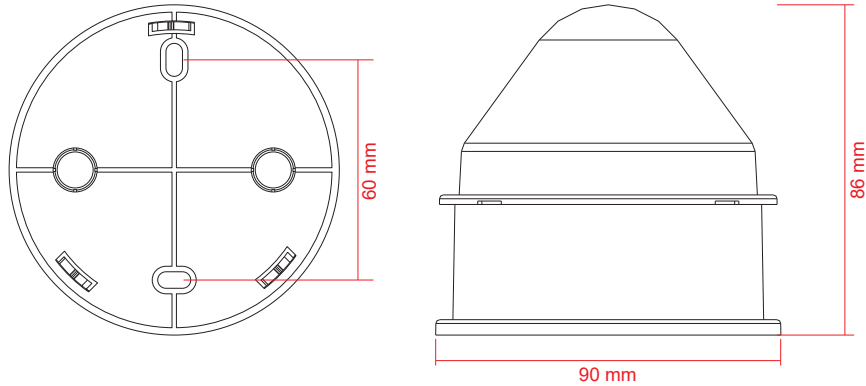


Installation Diagram

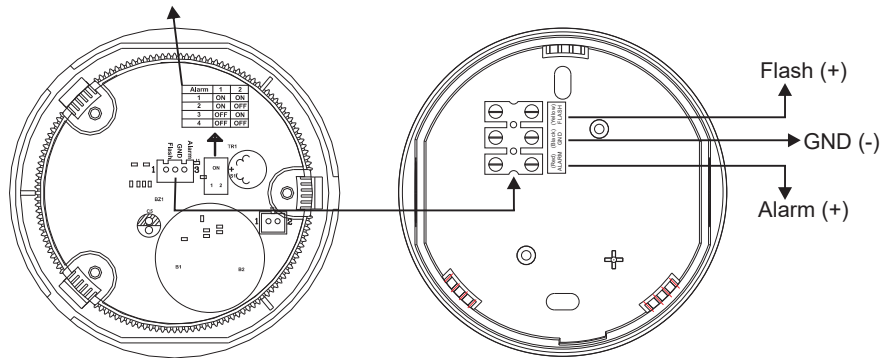


Alarm Settings

Alarm	1	2	Remark
1	ON	ON	Sound Effect 1
2	ON	OFF	Sound Effect 2
3	OFF	ON	Sound Effect 3
4	OFF	OFF	Sound Effect 4

To configure the alarm setting, power off the device first before adjusting the setting. Once this is complete then power on the device again.

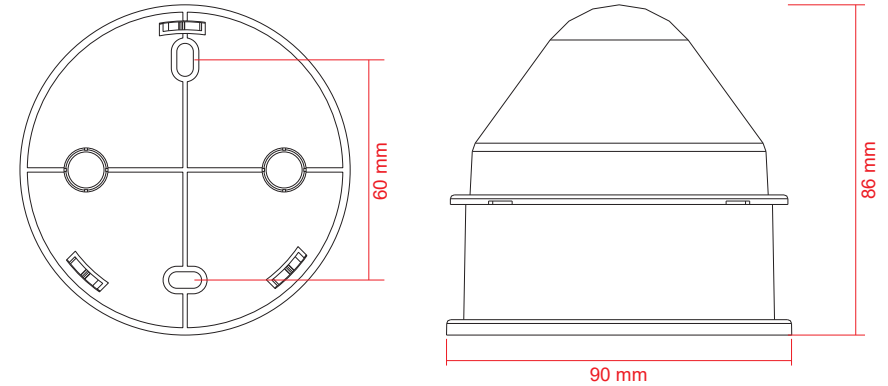
*Default Setting: Alarm 4



Specification:

1. Power Input: 12~24VDC ($\pm 15\%$)
2. Flashing Current: $\leq 35\text{mA}$
3. Alarm Current: $\leq 30\text{mA}$
4. Alarm Volume: 78dB (At 0.5m distance)
5. Sound Effect : 4 Options
6. IP Rating: IP44
7. Light Colour : Red/Green/Blue/Yellow
8. Dimension: 90x86 mm
9. Weight: 104.3g

Installation Diagram

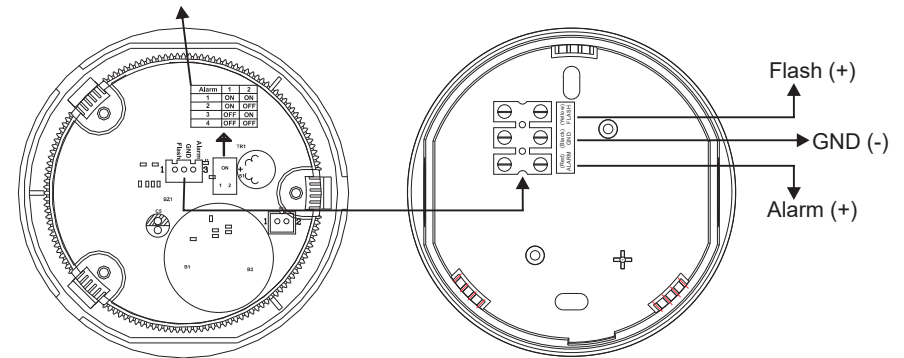


Alarm Settings

Alarm	1	2	Remark
1	ON	ON	Sound Effect 1
2	ON	OFF	Sound Effect 2
3	OFF	ON	Sound Effect 3
4	OFF	OFF	Sound Effect 4

To configure the alarm setting, power off the device first before adjusting the setting. Once this is complete then power on the device again.

*Default Setting: Alarm 4



Specification:

1. Power Input: 12~24VDC ($\pm 15\%$)
2. Flashing Current: $\leq 35\text{mA}$
3. Alarm Current: $\leq 30\text{mA}$
4. Alarm Volume: 78dB (At 0.5m distance)
5. Sound Effect : 4 Options
6. IP Rating: IP44
7. Light Colour : Red/Green/Blue/Yellow
8. Dimension: 90x86 mm
9. Weight: 104.3g