

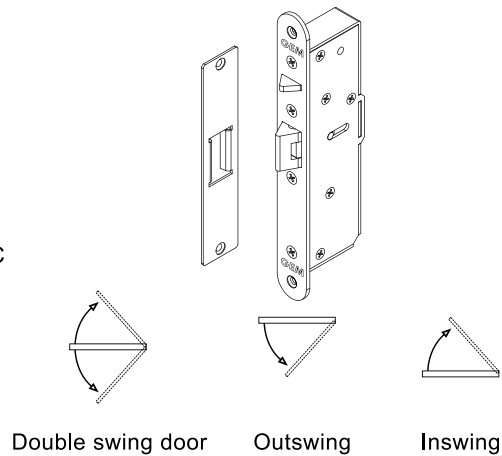
ML-210N-SW

Electromechanical Lock Installation Instruction

Specifications

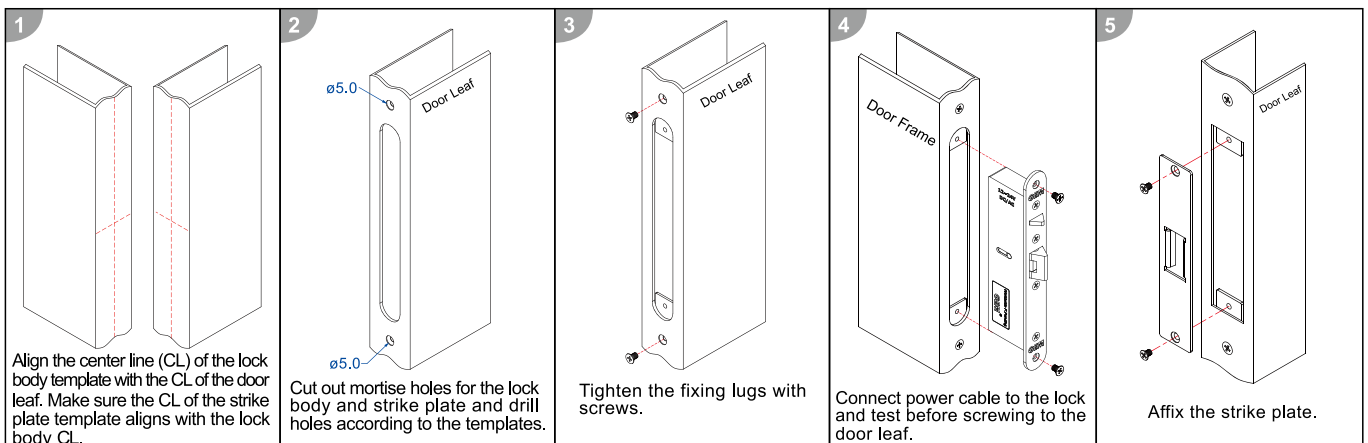
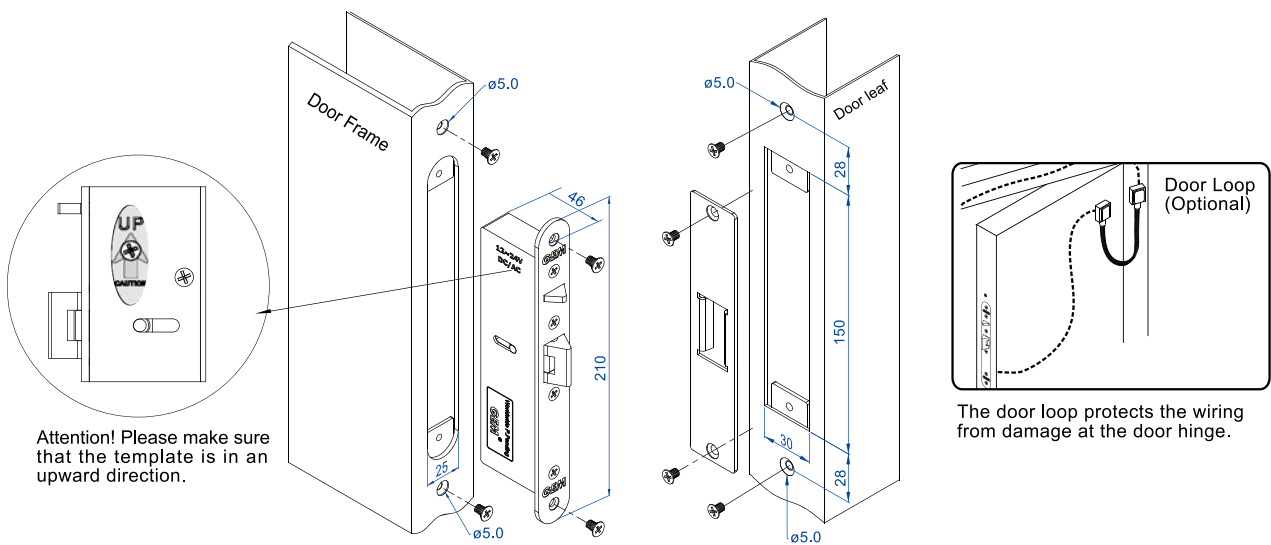
- Operating Voltage» 12~24VDC/AC
- Voltage Tolerance» $\pm 10\%$
- Current Draw» 210mA/12VDC; 150mA/24VDC
- Version Changeable» Fail-safe or Fail-secure
- Operating Temperature» -10~45°C
- Humidity» 0~95% non-condensing
- Lock bolt sensor switch output» SPDT rated 3A/125VAC
- Solenoid testing» Tested up to 1,000,000 cycles
- Net Weight» 594g
- Applicable to horizontal and vertical installation
- VGL bracket can be adjusted depending on the door gap ranging from 8 mm to 12 mm.

Double Swing Doors

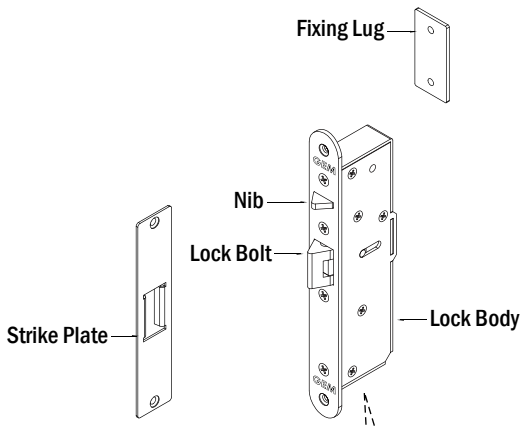


Installation Instructions

Unit:mm

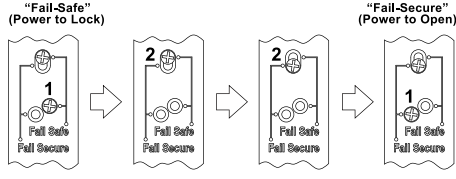


Installation Diagram



Version Changeable:

Take out the Screw 1, loosen the screw 2, move the position and then tighten both screws.

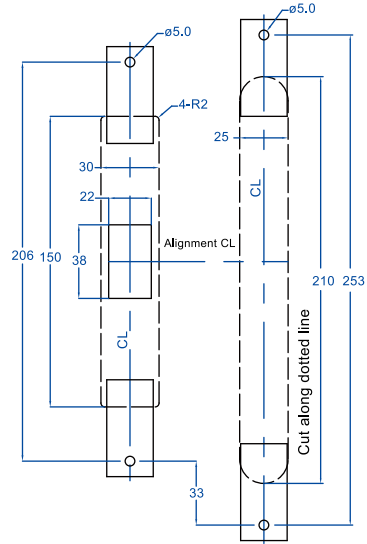


⚠ Caution:

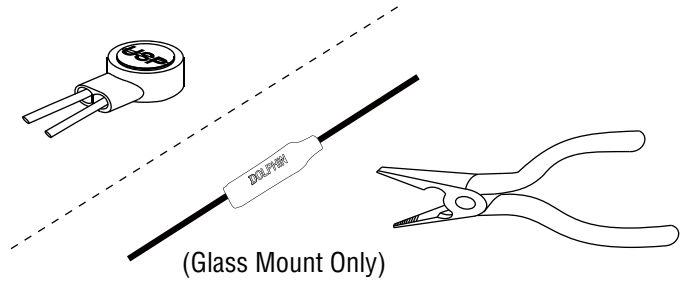
Do not completely loosen screw 2 (as shown in the figure) as the interior solenoid might fall off.

Template

Unit:mm



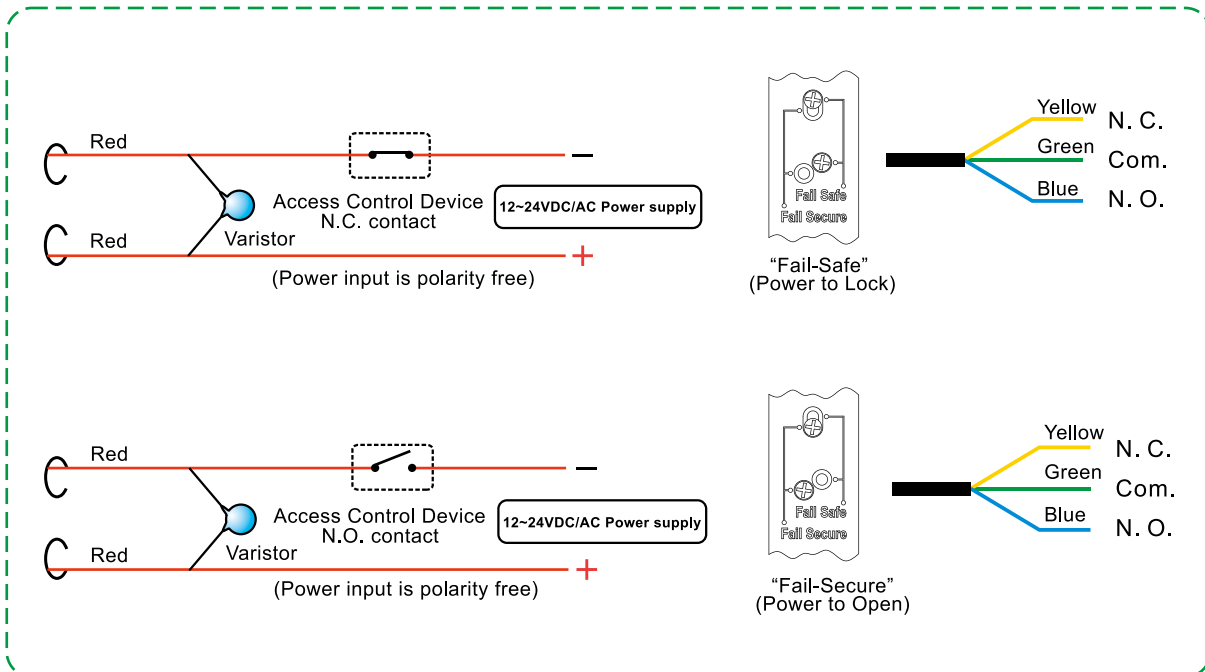
Butt Splice (IDC) Connector



Use crimper or pliers and press the header of connector down to even position.

Wiring Diagram

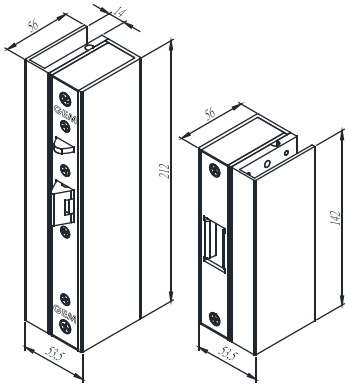
● Lock bolt sensor status output



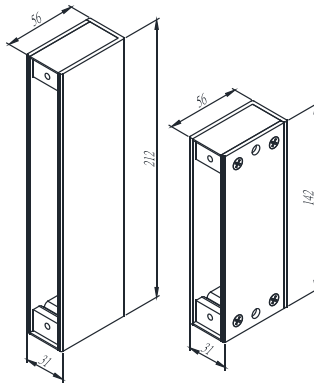
NOTE: The varistor (or diode) must be connected across the terminals of electric locks. This protects the electromechanical locks from spikes and surges.

Dimensions (Glass Mount & Surface Mount)

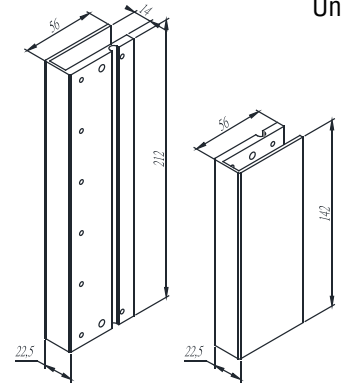
Unit:mm



Lock Model : ML-210N-SW-VGL
(Including SMB-210 and UBK-210)

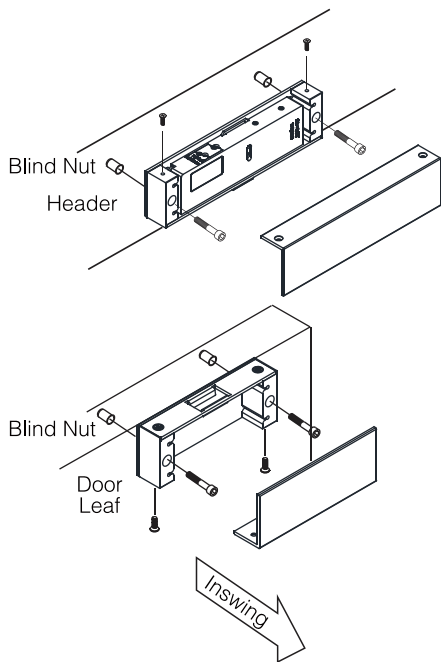


Bracket Model : SMB-210
(For Surface Mount)



Bracket Model : UBK-210
(For Glass Mount)

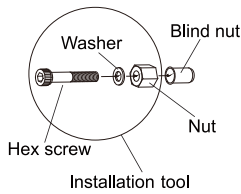
Surface Mount Installation



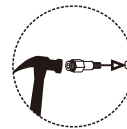
Installing Blind Nuts

①

Blind Nut Assembly

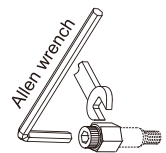


②



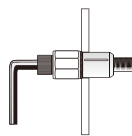
Drill a 9.4mm hole and hammer the blind nut assembly into the hole.

③



Use a wrench or vice-grip to tightly hold the nut. Then use the included Allen wrench to slowly tighten the screw until it does not turn any further.

④



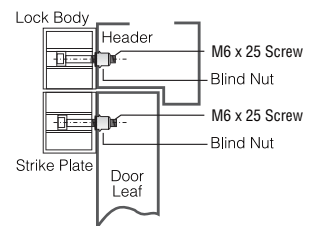
This compresses the blind nut so that it remains permanently fixed in the hole.

⑤

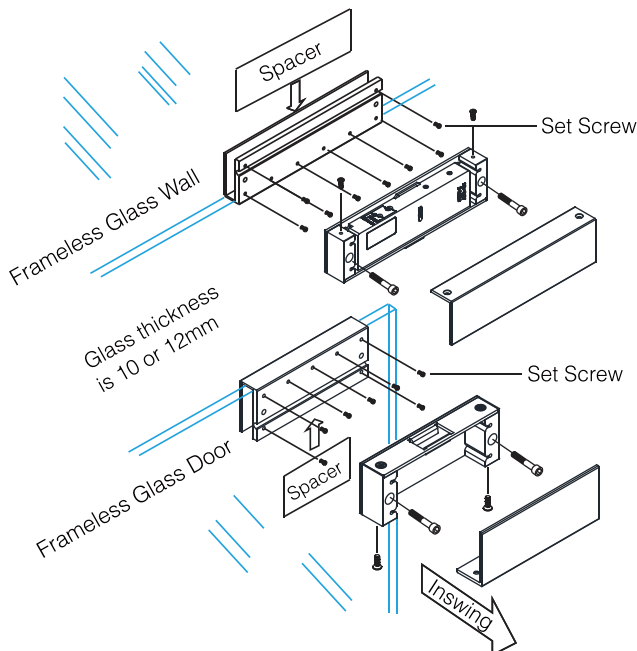


Remove the installation tool from the blind nut. Repeat step 2 through 4 for the other blind nuts.

⑥



Glass Mount Installation



Installation Instructions

1. Make sure the installation location and clean the surface of glass.
2. Take off the sticker on the back of the spacer and attach the spacer to glass. Add more spacers if needed according to glass thickness. Use silicon to secure the VGL bracket firmly.
3. Tighten the set screws with the Allen wrench, secure the electromechanical lock to the glass bracket, and then install the cover.

Caution:

1. It is suggested to attach the spacer to inside of the door.
2. Tighten the set screws lightly to prevent breaking the glass.
- * 3. NIB must face towards the outside of the door during installation.*
4. The glass thickness should be 10~13 mm. The bracket can be adjusted to properly align the position of strike plate and lock body depending on the door gap ranging from 8 to 12 mm.

