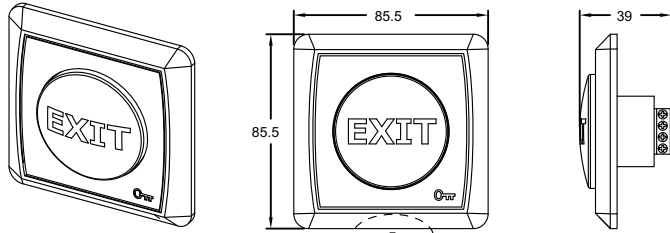


Specifications

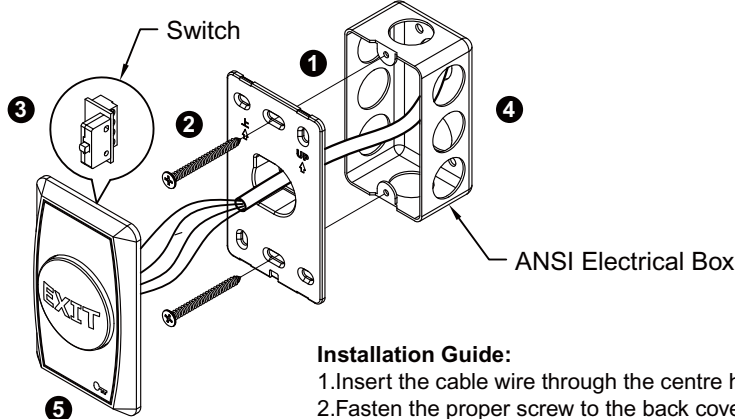
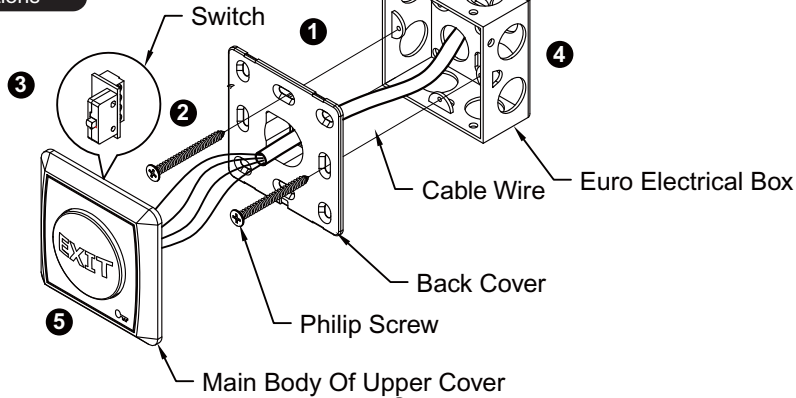
Model:PBT-800

Dimensions:85.5x85.5x39mm
 Double pole double throw
 Max rating:5A/125VAC



Remove Cover with Screw Driver →

Applications



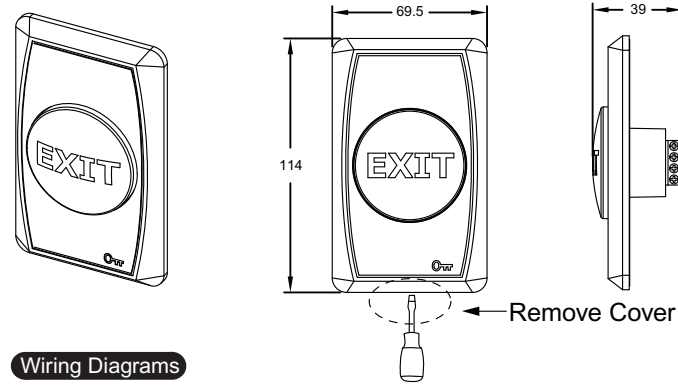
Installation Guide:

- 1.Insert the cable wire through the centre hole of the back cover.
- 2.Fasten the proper screw to the back cover holes.
- 3.Connect the signal wires to contact N.O. / N.C.
- 4.Put the signal wires carefully into the Euro (or ANSI) Electrical Box.
- 5.Assemble the upper cover and the back cover together by the direction from the up to the bottom to finish the installation.

Specifications

Model:AS-500

Dimensions:114x69.5x39mm
 Double pole double throw
 Max rating:5A/125VAC



Remove Cover with Screw Driver →

Wiring Diagrams

