

CP-32 Series Resettable Call Point Operation Manual

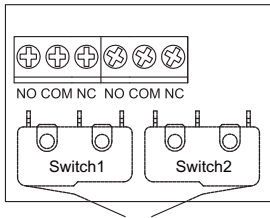
Specifications

- Dimensions: 87x91x53 mm (with clear plastic cover)
- Contact resistance: 100mΩ
- Double pole (NC/COM/NO) change over contacts
- Rating: Up to 5A125/250 VAC
- Plastic case: Green / Red / White / Yellow / Blue
- Backlight illumination: Blue (LB Series)

Part Number:

CP-32X

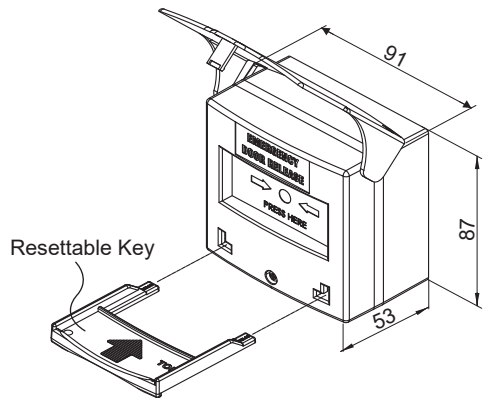
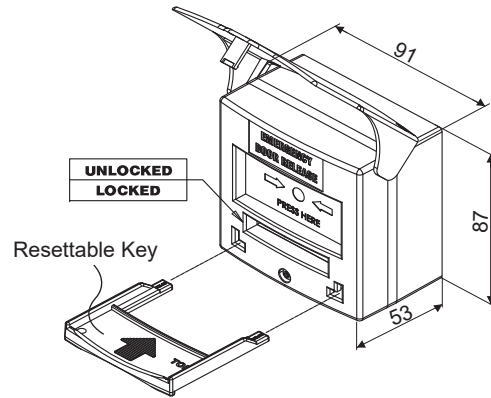
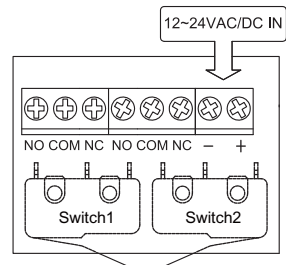
Green **G**/Red **R**/White **W**
Yellow **Y**/Blue **BL**



Part Number:

CP-32X-LB

Green **G**/Red **R**/White **W**
Yellow **Y**/Blue **BL**
Blue Backlight



Unit: mm
(with clear plastic cover)

Application

