

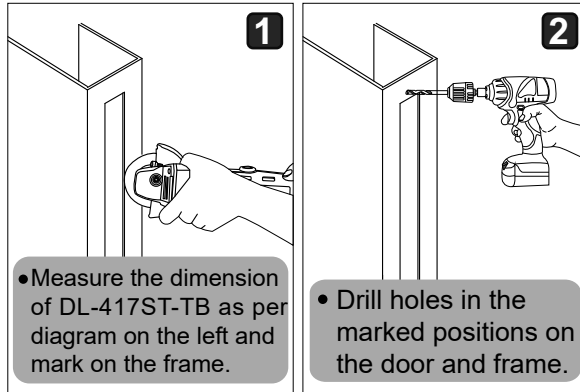
Unit: mm

# DL-417ST-TB

Power Transfer Door Loop  
(With Plug-in Terminal Block)  
Installation Instructions

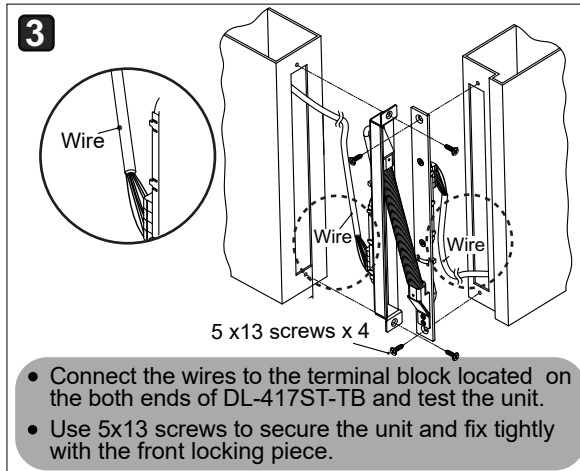
【Suitable for metal door frames with square drilling holes】

## 1. Installation Steps

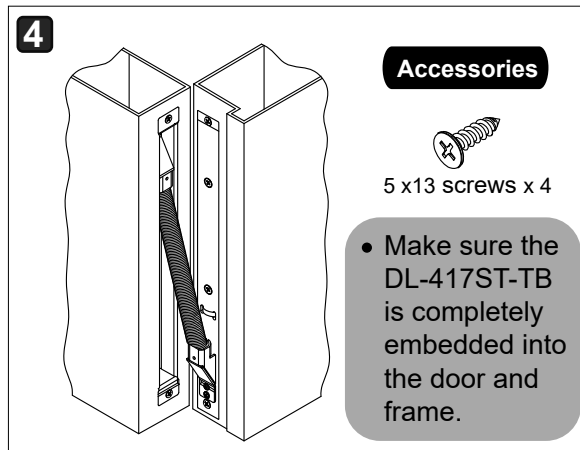


• Measure the dimension of DL-417ST-TB as per diagram on the left and mark on the frame.

• Drill holes in the marked positions on the door and frame.



• Connect the wires to the terminal block located on the both ends of DL-417ST-TB and test the unit.  
• Use 5x13 screws x 4

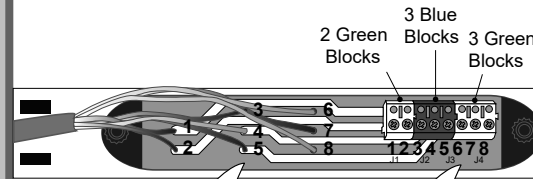


### Accessories

5 x13 screws x 4

• Make sure the DL-417ST-TB is completely embedded into the door and frame.

## 2. Terminal Block Wiring Diagram



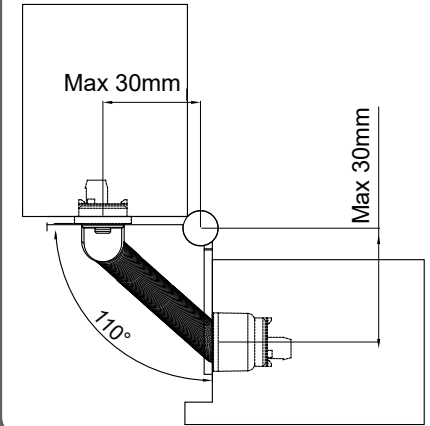
Wire	Terminal Block
1 Red +	2 Green Blocks 1 Red +
2 Black -	2 Green Blocks 2 Black -
3 Grey NC	3 Blue Blocks 3 Grey NC
4 White COM	3 Blue Blocks 4 White COM
5 Orange NO	3 Blue Blocks 5 Orange NO
6 Yellow NC	3 Green Blocks 6 Yellow NC
7 Green COM	3 Green Blocks 7 Green COM
8 Purple NO	3 Green Blocks 8 Purple NO

### Note:

Wire color numbers match terminal block numbers, and the terminal blocks on both sides are labeled with the same number.

For each side, the Red wire 1 is connected to the terminal 1 of the Green Block, the Black wire 2 is connected to the terminal 2 of the Green Block, and so on.

## 3. Door Opening Angle & Installaiothn Distance



## 4. Concealed Door Loop Installation

