

Unit: mm

## DL-500-TB

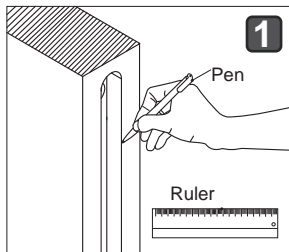
Power Transfer Door Loop  
(With Plug-in Terminal Block)  
Installation Instructions

【Suitable for wooden door frames with round drilling holes】

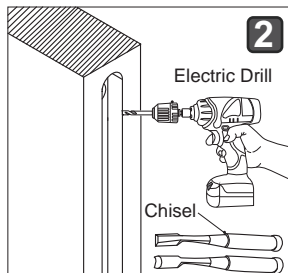
### Accessories



## 1. Installation Steps

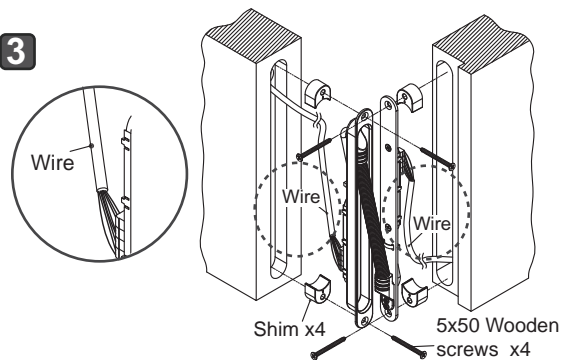


- Measure the dimension and depth of DL-500-TB as per diagram on the left and mark on the frame.



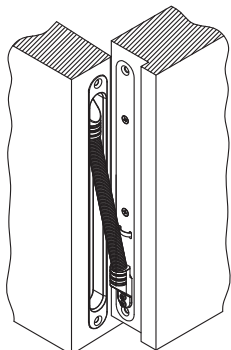
- Drill holes in the marked positions on the door and frame to the deepest depth and trim with the chisel.

3



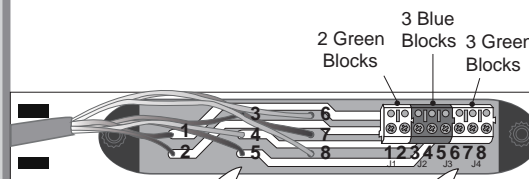
- Place the shim behind the DL-500-TB case. Connect the wires to the terminal block located on the both ends of DL-500-TB and test the unit.
- Use 5x50 wooden screws to secure the unit and fix tightly with the front locking piece.

4



- Make sure the DL-500-TB is completely embedded into the door and frame.

## 2. Terminal Block Wiring Diagram



### Wire

1 Red	+
2 Black	-
3 Grey	NC
4 White	COM
5 Orange	NO
6 Yellow	NC
7 Green	COM
8 Blue	NO

### Terminal Block

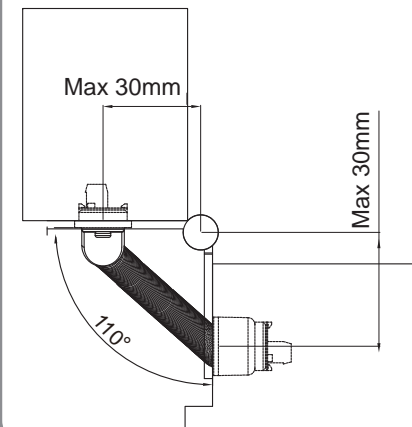
1 Red	+
2 Green Blocks	2 Black -
3 Grey	NC
3 Blue Blocks	4 White COM
5 Orange	NO
6 Yellow	NC
3 Green Blocks	7 Green COM
8 Blue	NO

### Note:

Wire color numbers match terminal block numbers, and the terminal blocks on both sides are labeled with the same number.

For each side, the Red wire 1 is connected to the terminal 1 of the Green Block, the Black wire 2 is connected to the terminal 2 of the Green Block, and so on.

## 3. Door Opening Angle & Installaioth Distance



## 4. Concealed Door Loop Installation

