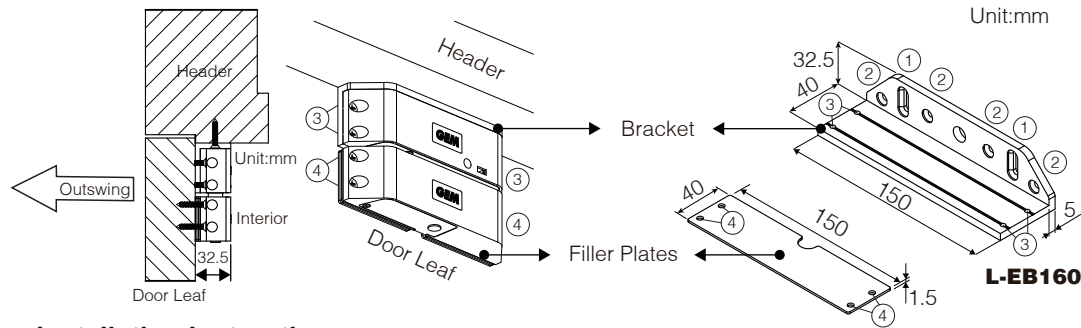


Surface Mount Bracket Installation



Installation Instructions

Use ONLY the hardware provided for mounting this product:

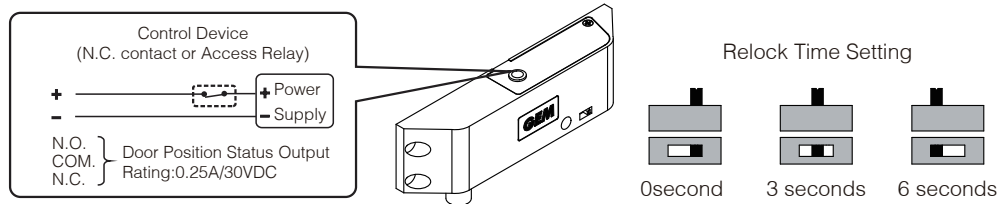
4PC of **4*10mm**, 2PC of **4*13mm** and 8PC of **4*25mm** screws and a **template** is included.

1. Check the door header. A minimum 32.5 mm flat surface is needed to securely mount the bracket. If you do not have the required surface, you may need filler plates to properly mount the dropbolt.
2. Use the template to mark positions for the 4*13mm screws (2PC marked as ① above). Adjust and level the L bracket before securing the 4*25mm screws (4PC marked as ② above).
3. Secure the lock body to the bracket with 4*10mm screws (4PC marked as ③ above). Attach filler plates to level the strike body and secure with 4*25mm screws (4PC marked as ④ above).

Connecting Diagrams

Caution:

Make sure that the "+" and "-" wires are connected correctly. Failure to observe polarity will result in a short circuit and is not covered by product warranty.



Trouble shooting

Problem	Possible Cause	Solution
Dropbolt is not activated when the door is closed	The gap between the strike plate and the dropbolt is large	See section on 'Adjustable Sensor Magnet'
	Low voltage / current	Check the output voltage and the current draw (Pull-in current : 0.9A/12VDC)
Bolt keeps projecting	Low voltage / current	Check the output voltage and the current draw (Pull-in current : 0.9A/12VDC)
	Dropbolt is not locked properly	Adjust the door closer or the door hinge so that the door is closed in the correct position Use on single action doors if the door hinge cannot be adjusted
Bolt cannot retract	Strike plate is misaligned	Move or sway the door to release the bolt to open the door
		Use on single action doors if the door hinge cannot be adjusted

EB160

Fail-Safe Electric Dropbolt Installation Instructions

EB160

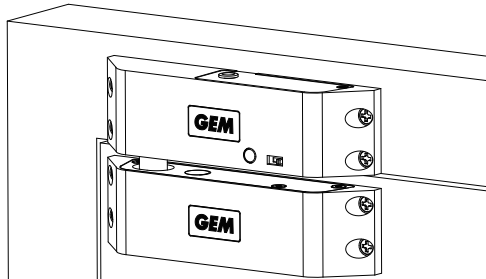
Fail-Safe Electric Dropbolt Installation Instructions



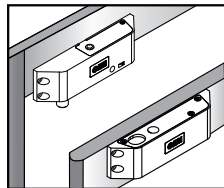
Features

- Horizontal or vertical installation
- For double or single action doors
- Energy saving design
- Intelligent electronics
- Vandal resistant circuit design
- Relock time delay (Selectable from 0, 3, 6 seconds)
- Zinc alloy body construction

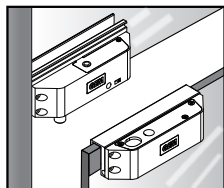
Model	EB160
Mode	Fail-Safe
Operating Voltage	12 / 24 VDC
Operating Temperature	-10°C~+49°C
Humidity	0~85% non-condensing
Current Draw	Pull in:0.90Amps ; Holding:0.15Amps / 12VDC Pull in:0.45Amps ; Holding:0.10Amps / 24VDC
Door Position Status Output	Rating : 0.25Amps / 30VDC
Relock Time Delay	Selectable from 0, 3, 6 seconds
Dropbolt throw	16 mm



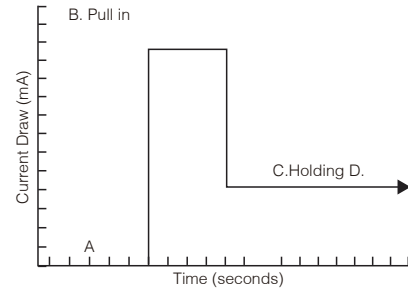
Surface Mount



Glass Mount



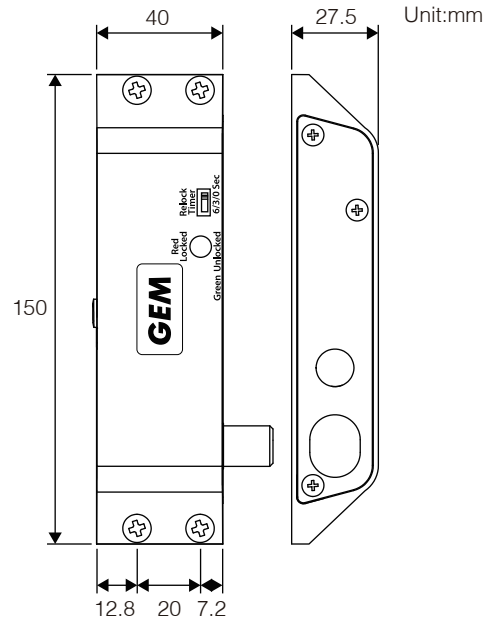
Intelligent Electronics & Energy Saving Design



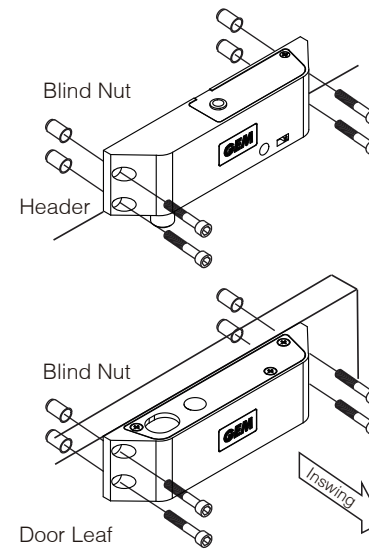
All models are designed with intelligent logic circuit allowing the bolt to keep retracting until the door is properly closed.

1. When the swing-through door is closed, the relock delay time begins and the reed switch in the lock detects the sensor magnet in the strike plate.
2. The bolt projects after relock delay time expires and keeps projecting until the door is closed in the correct position and locked.
3. After the bolt is projected to lock the door, the current draw will drop to the normal state.
4. The reed switch will automatically switch off at the same time when the door is locked.

Dimensions



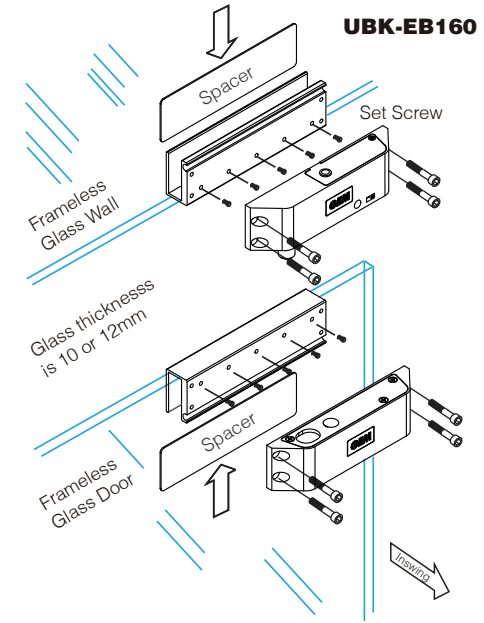
Surface Mount Installation



Installing Blind Nuts

1. Blind Nut Assembly
2.
 Drill a 6.4mm hole and hammer the blind nut assembly into the hole.
3.
 Use a wrench or vice-grip to tightly hold the nut. Then use the included Allen wrench to slowly tighten the screw until it does not turn any further.
4.
 This compresses the blind unit so that it remains permanently fixed in the hole.
5.
 Remove the installation tool from the blind nut. Repeat step 2 through 4 for the other blind nuts.
6. Lock Body

Glass Mount Installation



Installation Instructions

1. Determine where the electric dropbolt will be installed and clean the surface of the glasses.
2. Take off the sticker on the back side of the spacer and attach the spacer to the glass. The U shape VGL bracket is 14mm in width and spacer is 1mm in thickness. Add more spacers if needed per thickness of the glass. Use silicone sealant or other adhesives to secure the VGL bracket firmly.
3. Tighten the set screws with an Allen wrench, secure the dropbolt to the glass bracket, and install the cover.

Caution:

1. It is recommended to attach the spacers to the interior/secured side of the door.
2. Tighten the set screws firmly but do not overtighten to cause damage to the glass.

Adjustable Sensor Magnet

