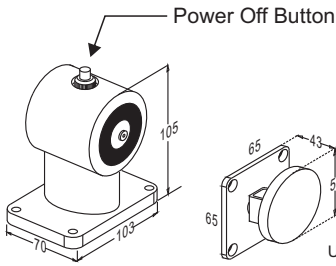


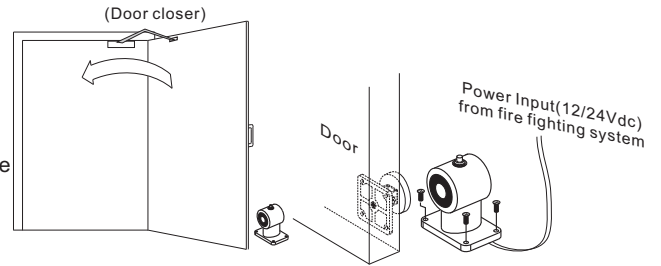
Electromagnetic Door Holder Installation Instruction

GD830F Floor Mount

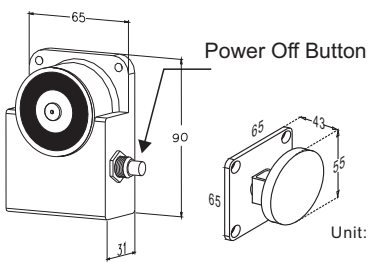


Operating Voltage: 24VDC
(12 VDC is available by special order)
Current Draw: 120mA/12VDC
60mA/24VDC
Power off button: Release holding force
Holding Force: 80 lbs
Finish: Black Powder Coated

Unit: mm

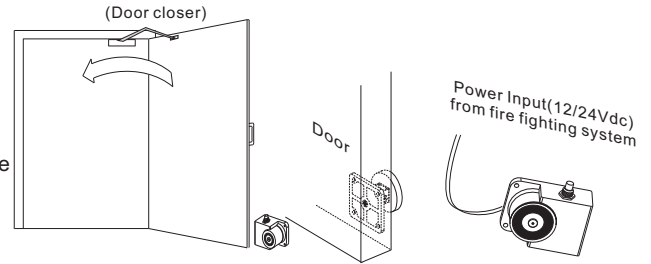


GD830S Wall Surface Mount

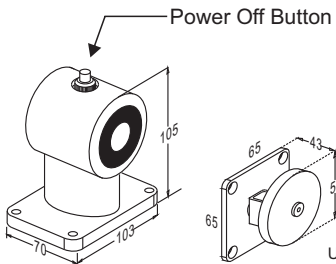


Operating Voltage: 24VDC
(12VDC is available by special order)
Current Draw: 120mA/12VDC
60mA/24VDC
Power off button: Release holding force
Holding Force: 80 lbs
Finish: Black Powder Coated

Unit: mm

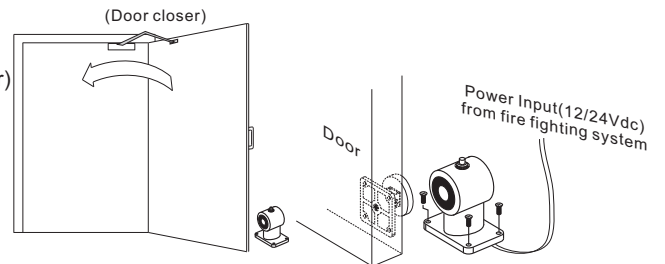


GD900F Floor Mount

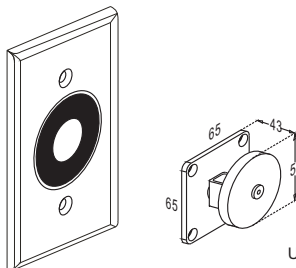


Operating Voltage: 24VAC/DC
(12VAC/DC is available by special order)
Current Draw: 120mA/12VDC
60mA/24VDC
Power off button: Release holding force
Holding Force: 80 lbs
Finish: Black Powder Coated

Unit: mm

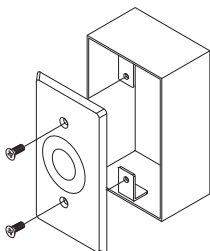
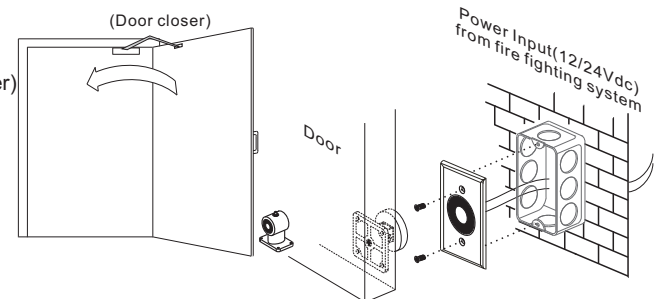


GD900W Mortise Mount



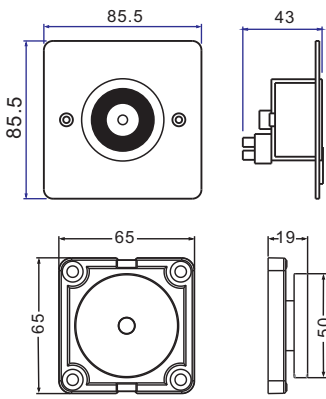
Operating Voltage: 24VAC/DC
(12 VAC/DC is available by special order)
Current Draw: 120mA/12VDC
60mA/24VDC
Holding Force: 80 lbs
Stainless steel faceplate
For ANSI single-gang electric box
(optional)

Unit: mm



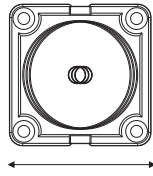
SMB-050
Surface Mount Box
(Optional)

GD650S - 24-100 Wall Mortise Mount

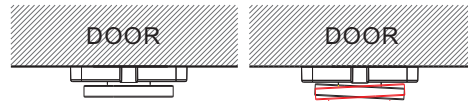


Unit: mm

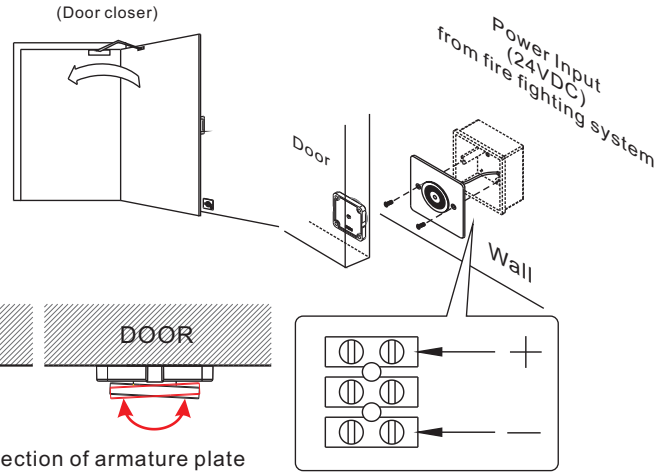
Operating Voltage: 24VDC
 Current Draw: 82mA/24VDC
 Holding Force: 100 lbs (45Kg)
 Anti-Residual Magnetism function
 Finish: Black Powder Coated
 3 mm of horizontal adjustment is allowed for the armature plate.



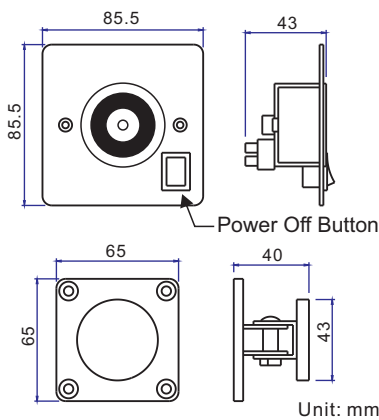
3mm of horizontal adjustment is allowed for the armature plate.



Adjust the direction of armature plate to allow tightly closing status.

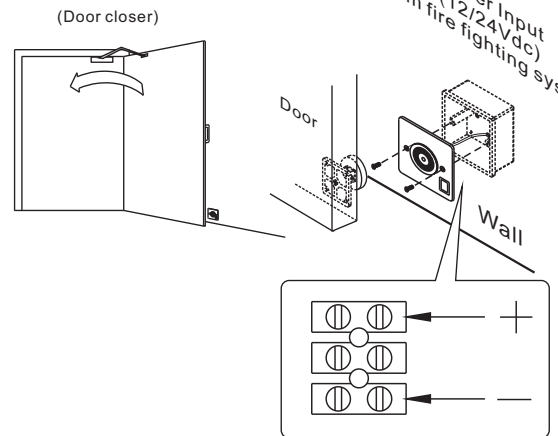


GD650S Wall Mortise Mount

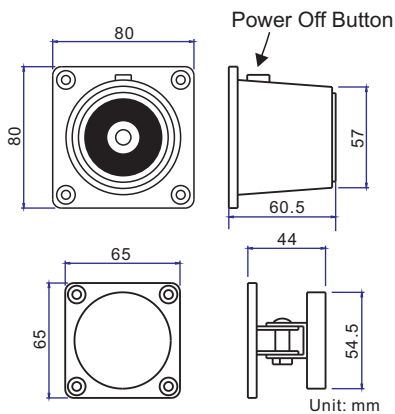


Unit: mm

Operating Voltage: 24VDC
 (12VDC is available by special order)
 Current Draw: 150mA/12VDC
 70mA/24VDC
 Power off button: Release holding force
 Holding Force: 70 lbs
 Anti-Residual Magnetism function
 Finish: Black Powder Coated

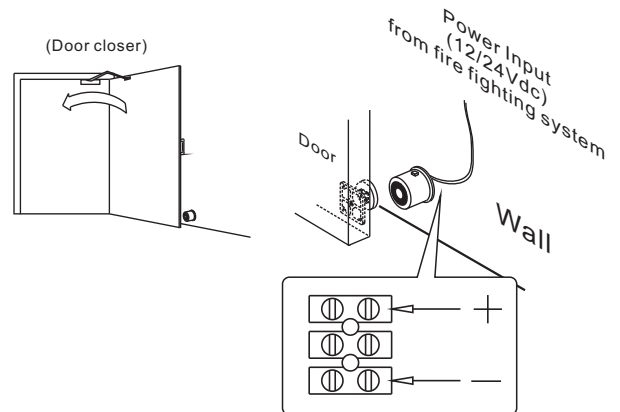


GD870S Wall Surface Mount

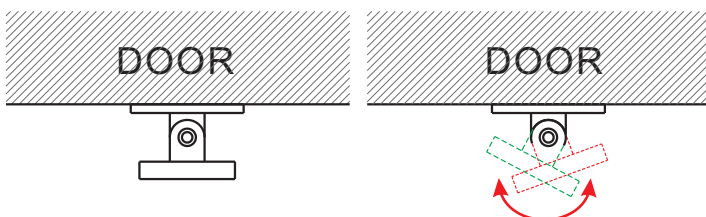


Unit: mm

Operating Voltage: 24VDC
 (12VDC is available by special order)
 Current Draw: 120mA/12VDC
 60mA/24VDC
 Power off button: Release holding force
 Holding Force: up to 80 lbs.
 Anti-Residual Magnetism function
 Finish: Black Powder Coated

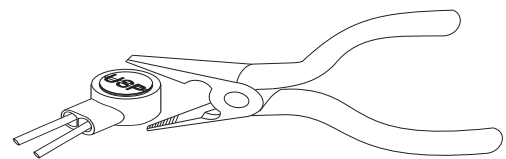


Note



Adjust the direction of armature plate to allow tightly closing status.

Butt Splice (IDC) Connector



Using crimpers or pliers and pressing the header of connector down to even position.