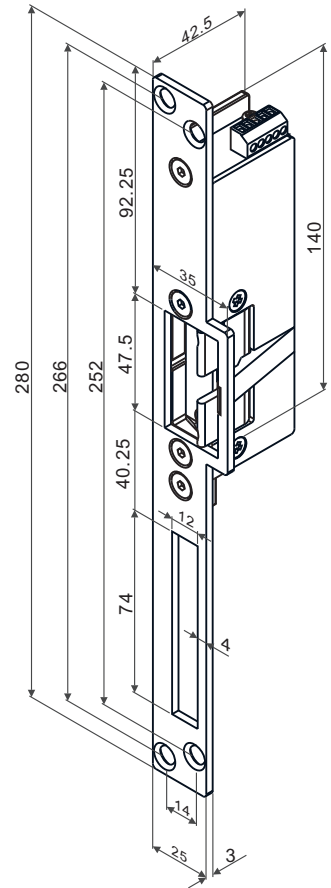
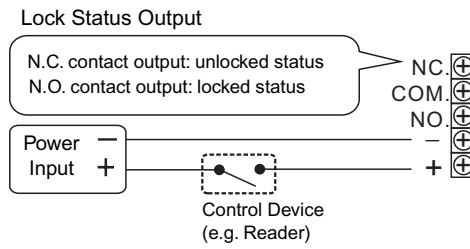


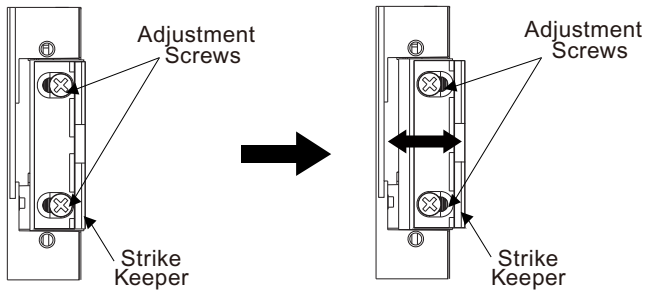
GK236M Series Electric Strike Installation Instructions (For Wood Doors)

Specifications

- Operating Voltage: 12 or 24VDC
- Current Draw: 280mA/12VDC, 140mA/24VDC
- Monitoring Output: Lock status
- Operating Temperature: -10~+45°C
- Humidity: 0~95% non-condensing
- Latch Throw: 11mm
- Keeper Width: 48mm
- Solenoid Testing: Over 250,000 cycles
- Static Strength: 1500 lbs.
- Preload: Up to 500 lbs.
- Construction: Stainless steel
- Lock Mode: Fail-safe
- Net Weight: 645g



Keeper Adjustment



The strike keeper can be adjusted horizontally to account for various installation anomalies. To adjust the keeper, loosen the adjustment screws, move the keeper horizontally as needed, and retighten the adjustment screws.

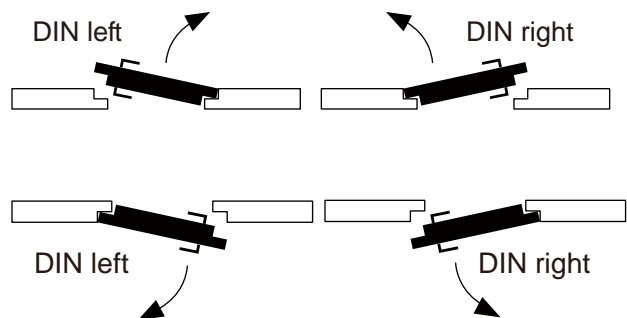
(Maximum adjustable range: 3mm)

Unit: mm

Handing Guide

Door handing is determined from the side of the door where the hinges are visible, according to the German standard DIN 107.

Stand facing the door on the hinge / pull side. If the hinge is on the right, the door is considered to be DIN right. If the hinge is on the left, then the door is considered to be DIN left.



	DIN left	DIN right
Models	GK236M-L-PL-12	GK236M-R-PL-12
	GK236M-L-PL-24	GK236M-R-PL-24

Installation Steps

