

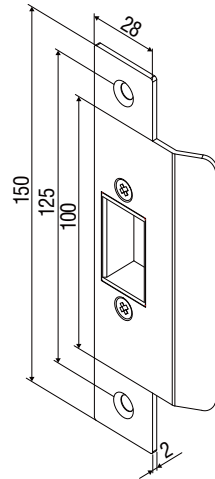
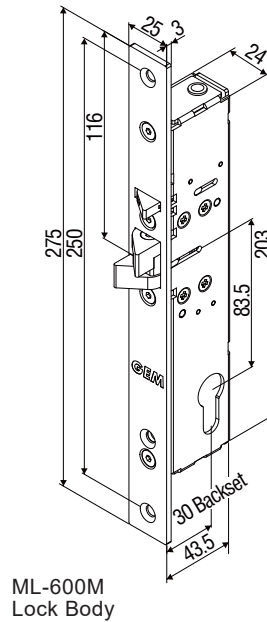
ML-600 Electric Lock (with Mechanical Override) Installation Instructions

Specifications

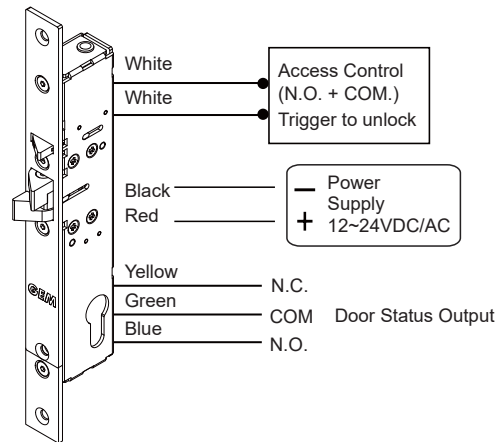
- Lock Mode: Fail-Secure
- Operating Voltage: 12~24VAC/DC
- Current Draw: 500mA / 12VDC, 250mA / 24VDC
- Operating Temperature: -10°C~+49°C
- Humidity: 0~85% non-condensing
- Preload: 300 lbs of pressure strength
- Solenoid Testing: Tested up to 250,000 cycles
- Latch Throw: 16mm
- Relock Delay Time: 3 seconds
- Optional Cylinder: EYC-72

Dimensions

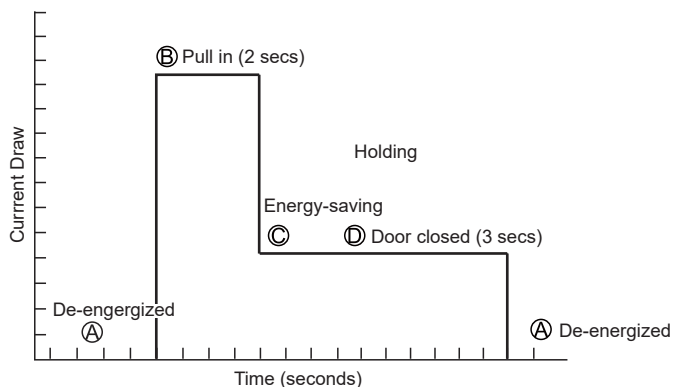
Unit:mm



Wiring Diagram



Circuit Description



A. De-energized: Door is in locked status.(Operating in fail-secure mode)

B. Pull-in:The electric lock is energized through access control devices.

(Please refer to the wiring diagram)

C. Energy-saving: After supplying power to unlock for 2 seconds , the current draw will drop to save energy. During this time, the electric lock remains unlocked.

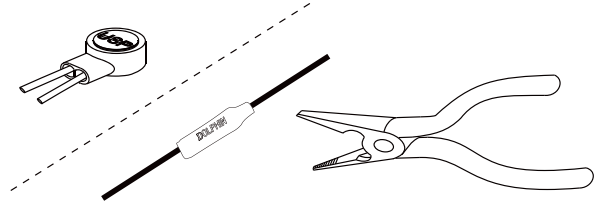
D. Door closed:

After door is closed, the NIB (deadlatch) will retract into the lock housing and press the internal micro switch. After door keeps closing for 3 seconds, the lock will be completely de-energized and the door will remain locked.

(Without keeping door closed for 3 seconds, the electric lock will not be de-energized and remains unlocked.)

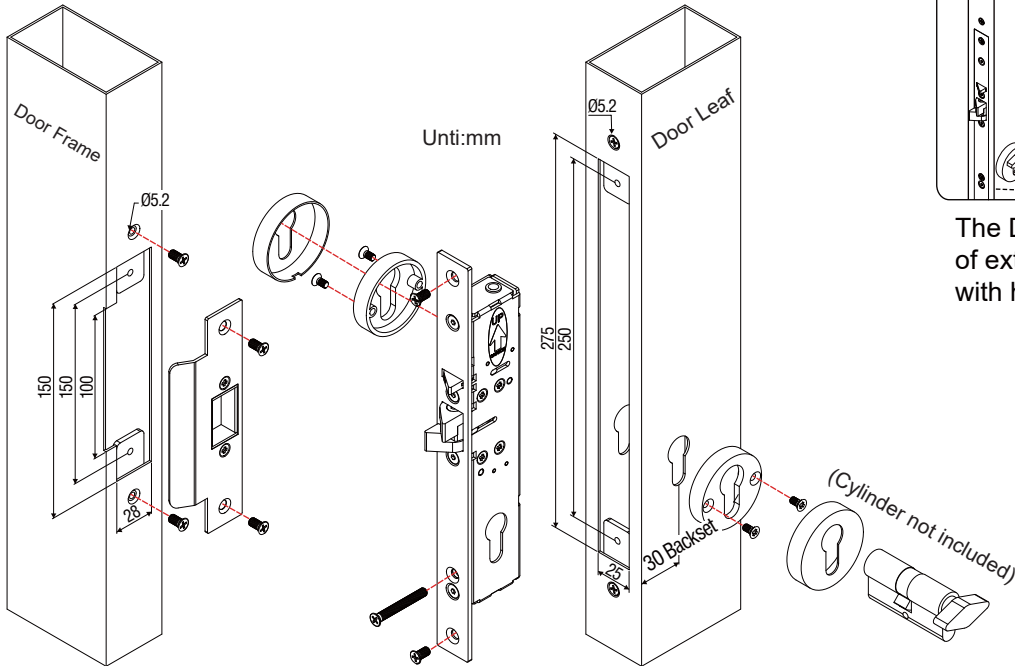
Butt Splice (IDC) Connector

Using crimper or pliers and pressing the header of connector down to even position.

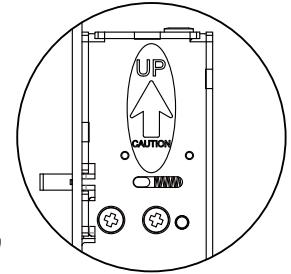


Door Preparation

62mm long cylinder for doors up to 42mm thick
72mm long cylinder for doors up to 52mm thick



The Door Loop is for protection of extension wiring from damages with high security concerns.



Attention! Please ensure that the template is the correct way up

