

# RTS Series Wave Sense Infrared Exit Devices

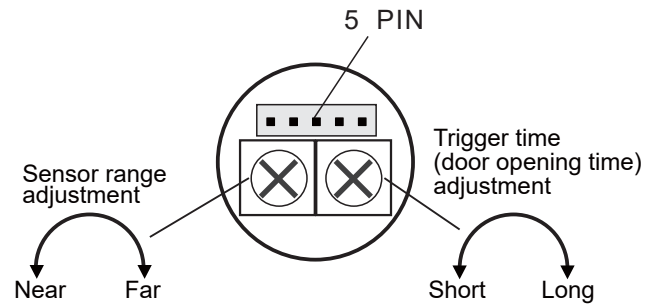
## RTS-700/RTS-800/RTS-8585/RTS-020/RTS-020B

### Installation Instructions

#### Specifications

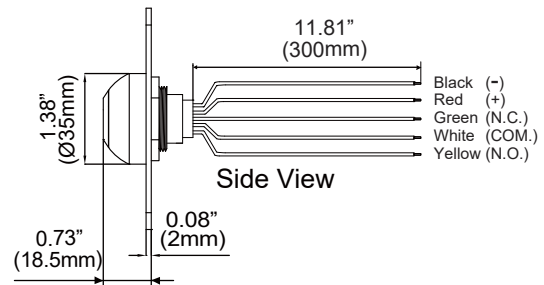
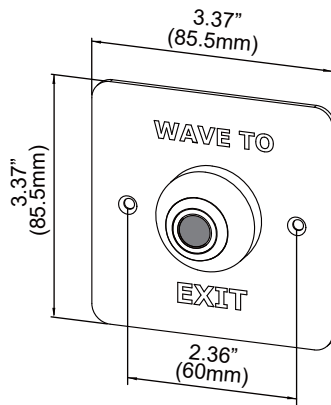
- Operating Voltage: 12~24VDC
- Current Draw: Pull in 40mA/12VDC; Holding 30mA/12VDC  
Pull in 50mA/24VDC; Holding 25mA/24VDC
- Relay Rating: 1A/30VDC maximum
- Operating Temperature: -10~+70°C
- Ambient Humidity: 5~95%
- Dual LED, illuminated sensor indicates status:  
Standby (Red), Active (Green)
- Output Time: 0~20 seconds, toggle  
\*Toggle: turn all the way clockwise
- Sensor range: 120mm max.
- Faceplate Finish: Stainless steel

#### Adjusting Sensor Range & Trigger Time

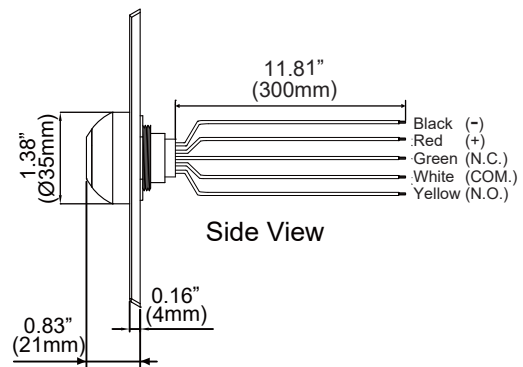
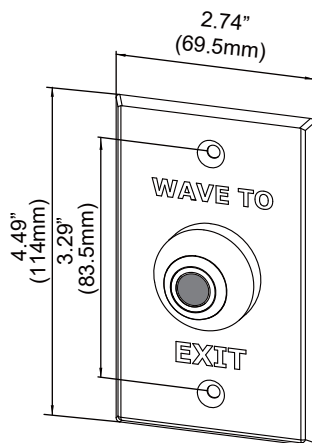


Note: Adjusting door opening time to maximum (turning all the way to the right) will set the switch to toggle mode.

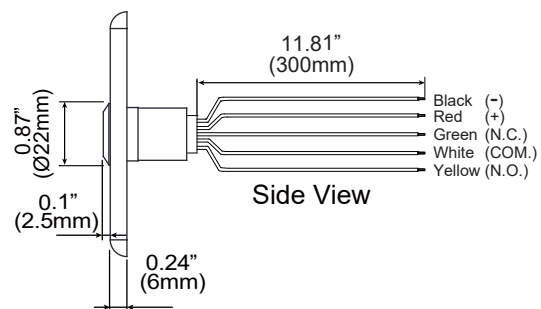
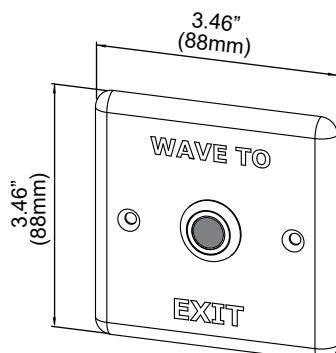
【RTS-700】



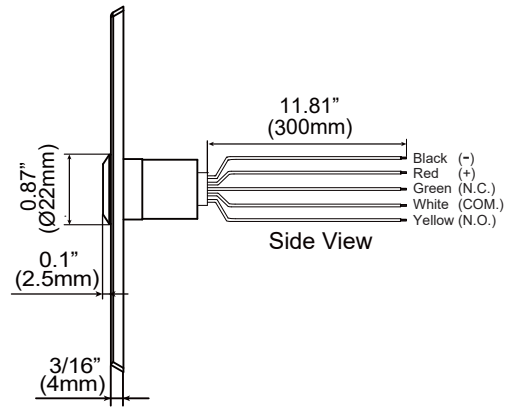
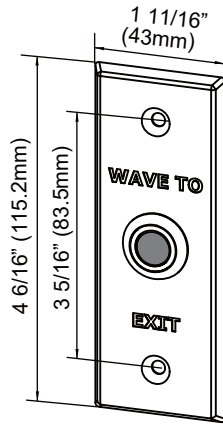
【RTS-800】



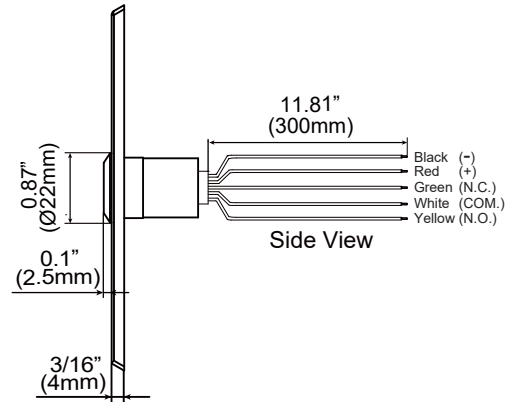
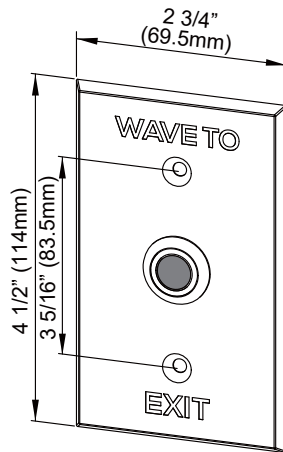
【RTS-8585】



【RTS-020】



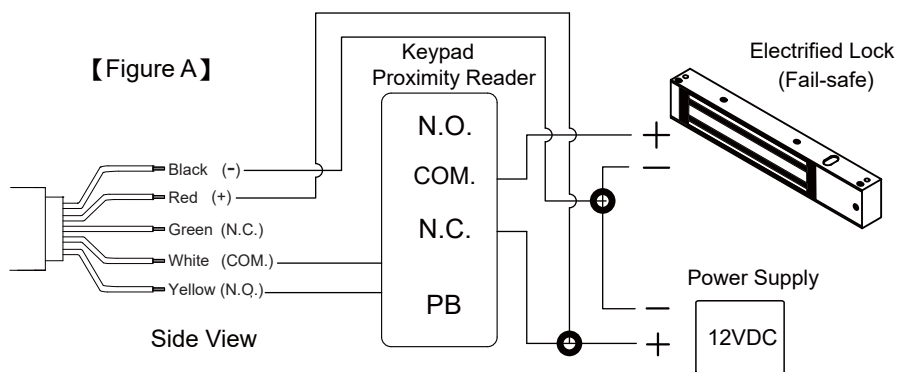
【RTS-020B】



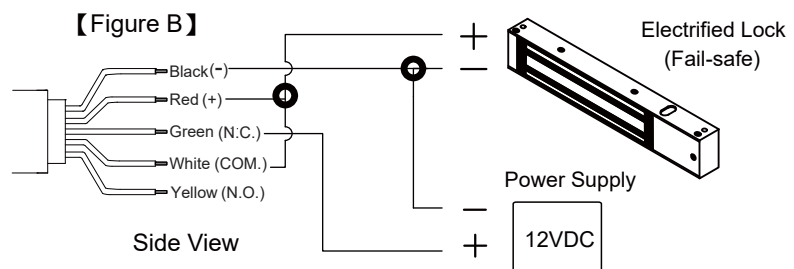
## Wiring Diagrams

The RTS series wave sense infrared exit device includes one set of output contacts NC/NO/COM. It can directly control electrical devices (e.g. electrified locks) or works with digital keypads or proximity readers. Please refer to the wiring instructions below.

In Figure A, the RTS series connects to the Request-to-Exit input terminal of the access control system. Relay output time can be reduced to a minimum of 0.5 seconds.



In Figure B, the RTS series controls a fail-safe locking device. If it controls a fail-secure lock, connect to the NO contact. Relay output time is door opening time.



**Caution:**  
To avoid wire burning, do not exceed maximum relay rating: **1A/30VDC**.