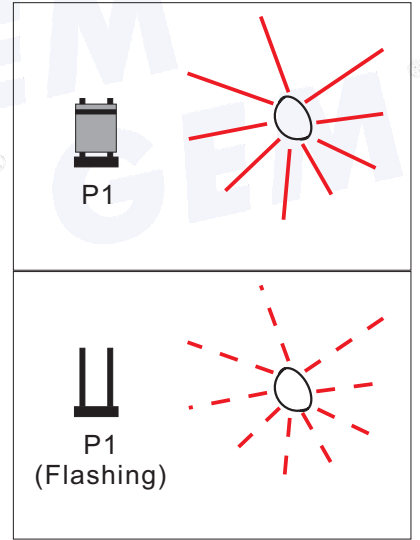
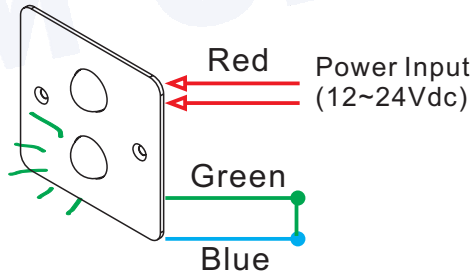
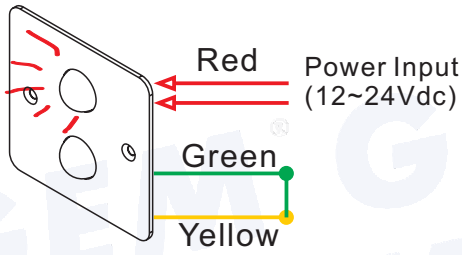
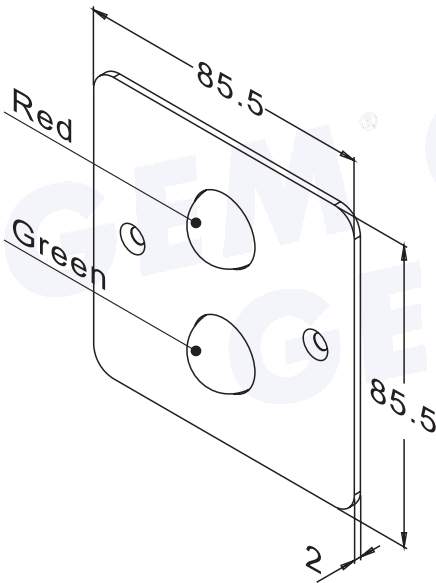


TLM-200 Door Status Indicator

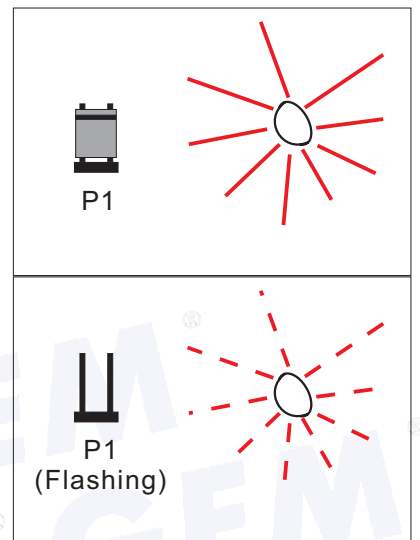
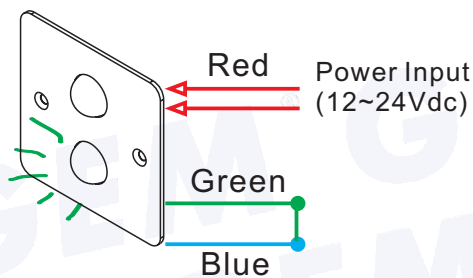
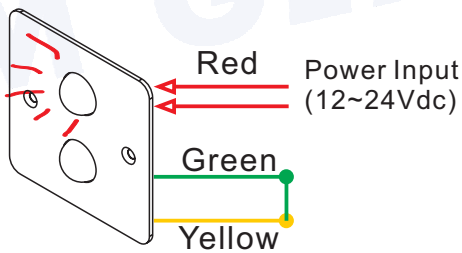
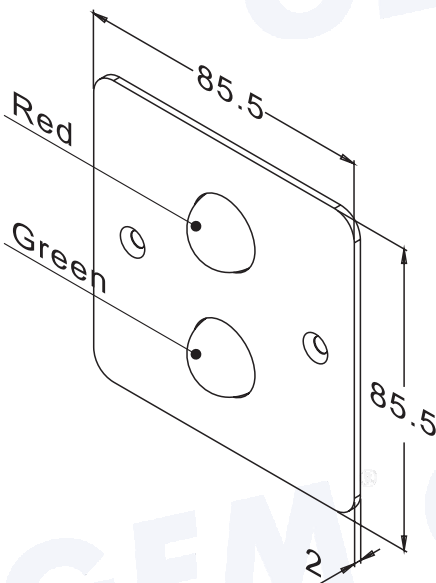
12~24Vdc
 40mA @ 12Vdc
 70mA @ 24Vdc



Copyright all rights reserved
 P-MU-TLM200 Ver. A Publish:2007.02.27

TLM-200 Door Status Indicator

12~24Vdc
 40mA @ 12Vdc
 70mA @ 24Vdc



Copyright all rights reserved
 P-MU-TLM200 Ver. A Publish:2007.02.27